

**PEGATRON**  
Navigate the future >

Walle

Nov 09, 2009

---

**PEGATRON** Navigate the future >

# Product Introduction

1. Design & Product Spec.
2. Value Segment (Atom 230 + SiS 672 + SiS 968/ PineView +Tigerpoint )
3. Performance Segment (Atom 230/330 + NV MCP7A-ION)

# 1. Design & Product Spec.


# ID Concept



# ID Concept



# Product Specification

Dimension w/ Bezel	(D) 172.9 mm mm x (W) 151 mm mm x (H) 26.3 mm mm
Storage Space	1 X SATA 2.5" 160G Hard Disk Drive
Front IO	2 X USB2.0 / 1 x Audio-Out / 1 x Mic-In
Rear IO	4 X USB2.0 / 1 X Giga LAN / 1 x Audio-Out / 1 X DVI or D-Sub
M/B Type	Smaller than regular Mini-ITX(170mmx140 mm)
CPU	Intel ATOM 230
RAM	1 x SO-DIMM DDR2 667 1G
Heatsink	1 x Passive CPU 1x SB Heatsink 1 x Passive NB Heatsink (Value segment) or Active CPU Thermal solution (Performance segment)
Power Unit	40W Adapter  Power saving!

## 2.Value Segment

(Walle Chassis + Intel Atom230 + SiS672 + SiS968)

# Tower Value Features (SIS solution)



## Slimmest Atom NetTop

The slimmest Atom desktop in the world! Slimmer than EeeBox(26mm)!



## Limited space

Cape 7 is limited space and weight Nettop solution. It provides user a better choice to organize their own space.



## Quietest Nettop

Fanless design create noiseless Nettop solution.



## Alternative storage design

Cape 7 keep customized ability for HDD/SSD alternative.



## Cost Effective solution

Limited space and product cost is great for saving shipping & storage cost.



# Value Segment (SIS solution)

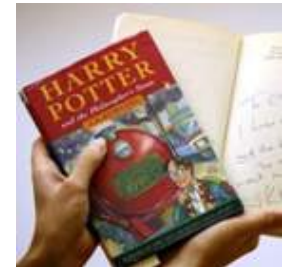
## Limited space appearance

### World's smallest Atom NetTop PC, only 0.5L

the smallest Atom NetTop PC in the world with only "0.5L" slim and lighter outlook maximizes desk space.



Similar Size to a Novel

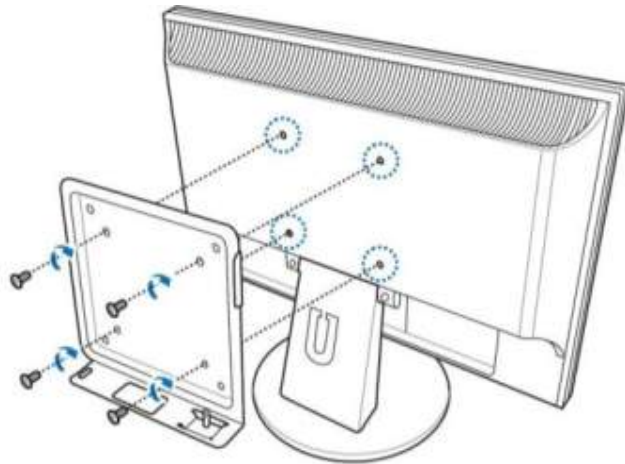


# Value Segment (SIS solution)

## Flexibility for Wider Marketing Strategy

Simple, Basic, Low cost!

Compatible for various LCD monitor models!



### Industry Application:

- Financial
- Healthcare
- Education
- Government

# Value Segment (SIS solution)

## Ultimate Silence! Fanless Thermal solutions

Quiet & comfortable, only HDD Noise!

Fanless Thermal solution integrates a unique heatsink – providing silent and comfortable quality computing experiences.



21db, just like Quite Whisper!

<i>Colt .45 Pistol (25 feet)</i>	<b>140</b>
<i>Threshold of Pain</i>	<b>130</b>
	<b>120</b>
<i>Underground Train</i>	<b>110</b>
	<b>100</b>
<i>Average Home Hi-Fi Level</i>	<b>90</b>
<i>Average Factory</i>	<b>80</b>
	<b>70</b>
<i>Average Conversation</i>	<b>60</b>
<i>Average Office</i>	<b>50</b>
<i>Residential Ambient Noise</i>	<b>40</b>
<i>Quiet Whisper (5 feet)</i>	<b>30</b>
	<b>20</b>
	<b>10</b>
<i>Threshold of Hearing</i> <i>0.0002 Dyne/Sq. cm</i>	<b>0</b>

**dbSPL Table**

# Value Segment (SIS solution)

## Power-Saving

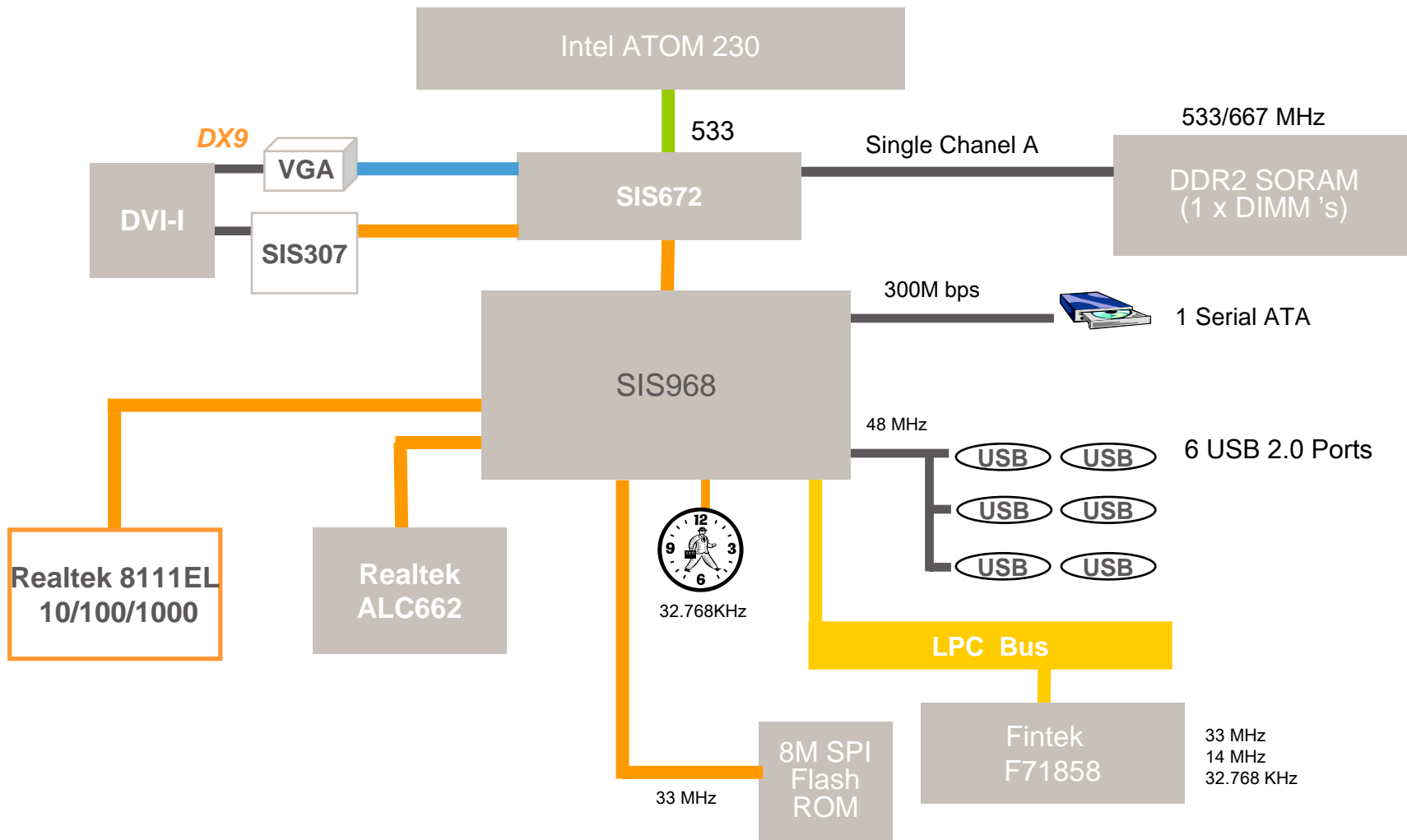
### Protect the Earth, saving energy

1. Average power consumption keep in very low level Power Consumption reduce hugely (about 22W Max loading), compared with other PCs lower than Intel NetTop 945GC chipset solution.
2. Green material, totally RoHS and WEEE reduce CO2.

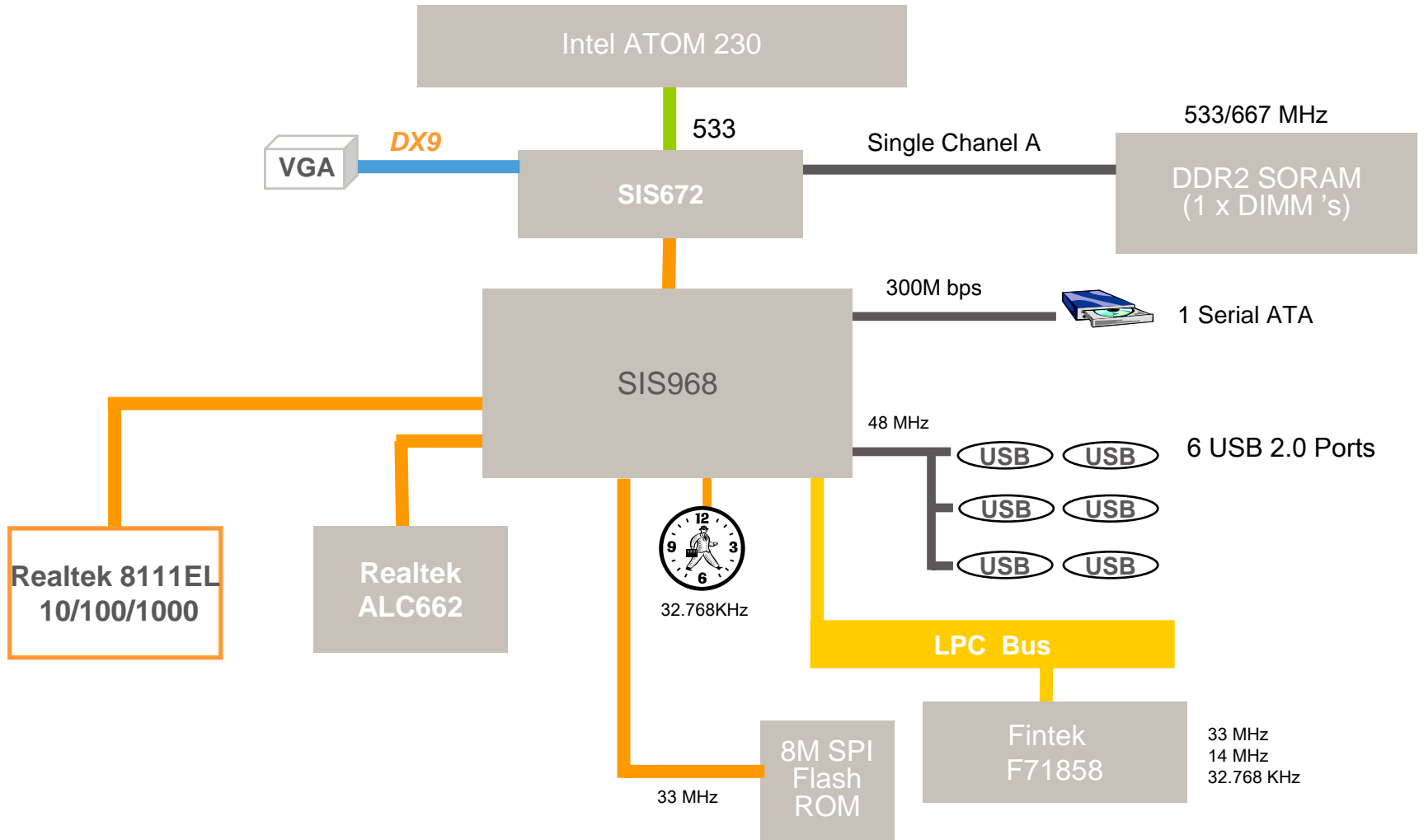
Saving 90% energy compared with standard DT



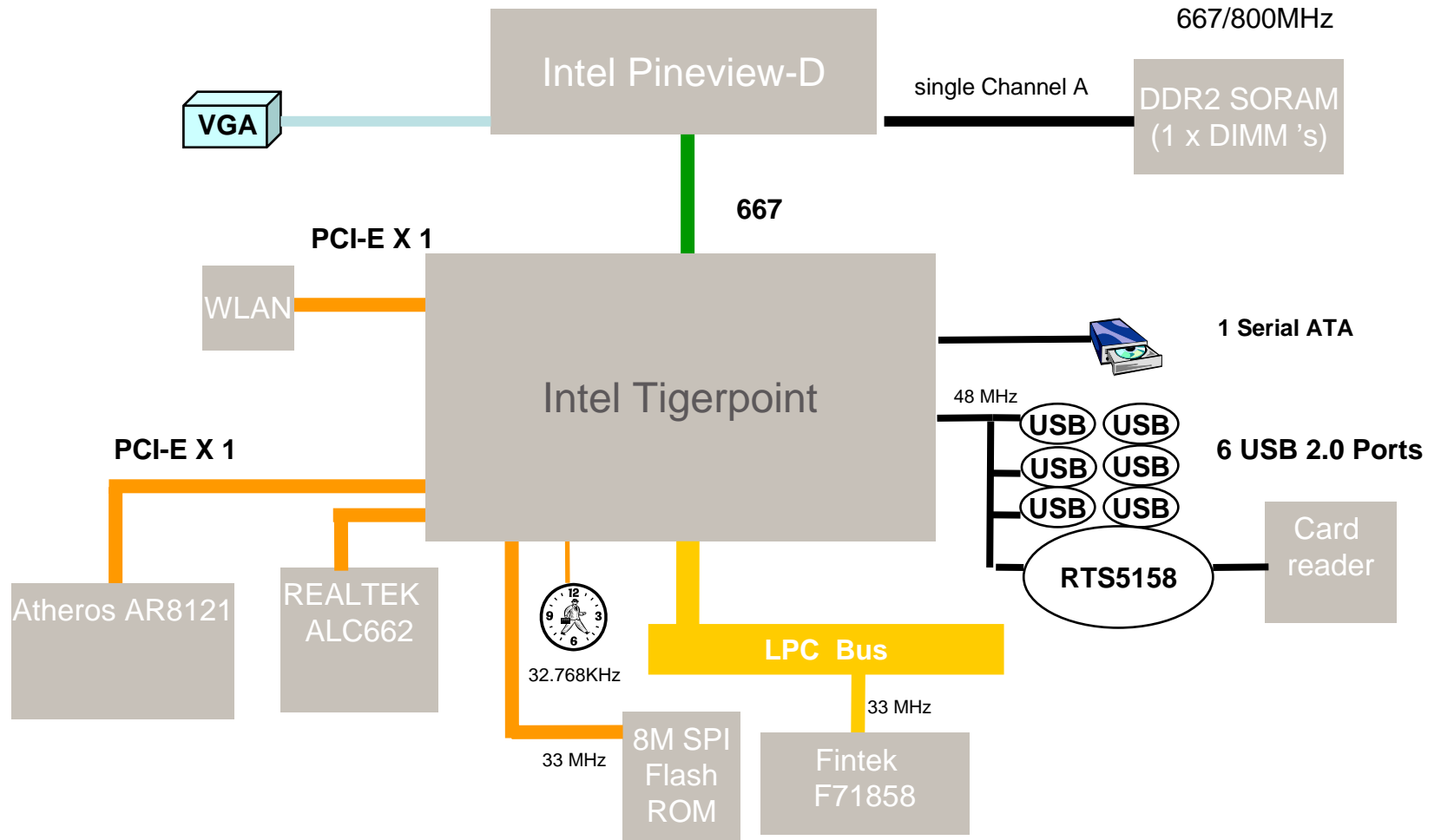
# M/B IPP71 (DVI-I) Block Diagram



# M/B IPP72(D-Sub) Block Diagram



# M/B IPP72(D-Sub) Block Diagram



# Value Segment (SIS solution)

## System with SIS chipset configuration list

Model	Cape 7 Model A	Cape 7 Model B	Cape 7 Model C	Cape 7 Model D
M/B	IPP72 w/ D-Sub port		IPP71 w/ DVI port	
CPU	Intel Atom 230 1.6G, 4W			
NB	SiS 672, 3W			
SB	SiS 968, 2.5W			
FSB	533			
Memory	SO-DIMM DDR2-667 1G (1 x DIMM Slot)			
VGA	Integrated Graphic in NB			
LAN	Realtek 8111DL			
Audio	Realtek ALC662 => 2 Channel			
HDD/SSD	SSD 16GB(MLC)	2.5" HDD 160GB	SSD 16GB(MLC)	2.5" HDD 160GB
Adapter	3-pin 40W 19V			



# Value Segment (Pineview solution)

## System with Pineview chipset configuration list

Model	Mighty Mouse Pineview-D Model
M/B	IPPPV w/ D-Sub port
CPU	Intel Pineview-D >1.6G Dual Core:15W/Single Core:10W
Chipset	Intel Tigerpoint
FSB	667
Memory	SO-DIMM DDR2-800 1G
VGA	Integrated Graphic in NB
LAN	AR8121_AL1E Giga Lan
Audio	Realtek ALC662 => 2 Channel
Power	40w
Storage	2.5" HDD 160GB
Suggested OS	Windows XP, Win7/VISTA Basic

## Performance Segment

(Walle Chassis + Intel Atom230 + NV MCP7A-ION)

# Walle Performance Features (NV ION Platform)



## Slimmest Atom NetTop

The slimmest Atom desktop in the world! Slimmer than EeeBox(26mm)!



## High graphic performance (for NV version)

NVIDIA® GeForce® 9400 and Intel's Atom CPU, transforms traditional Atom-based PC designs into a premium PC experience!



## Effective solution

Limited space with amazing graphic performance is great for user!



## Energy Efficiency

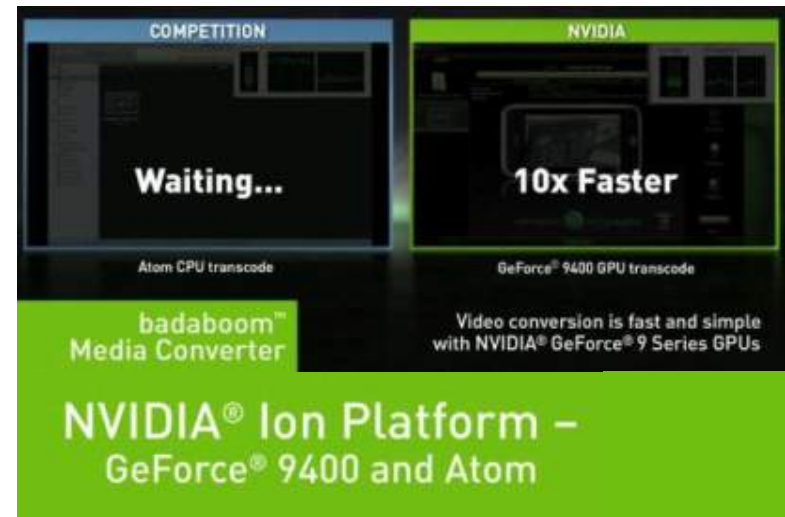
System could meet the latest Energy Star 5.0

# Performance Segment (NV ION Platform)

## NVIDIA ION Platform selected!

### Key Benefit:

- Windows Vista Premium user interface support
- Windows 7 support
- 10x faster graphics and video encoding with Intel NetTop solution
- Premium DirectX 10 graphics support
- Premium 1080p HD video support
- HDMI output from DVI-I to HDMI dongle
- Gaming experience in NetTop



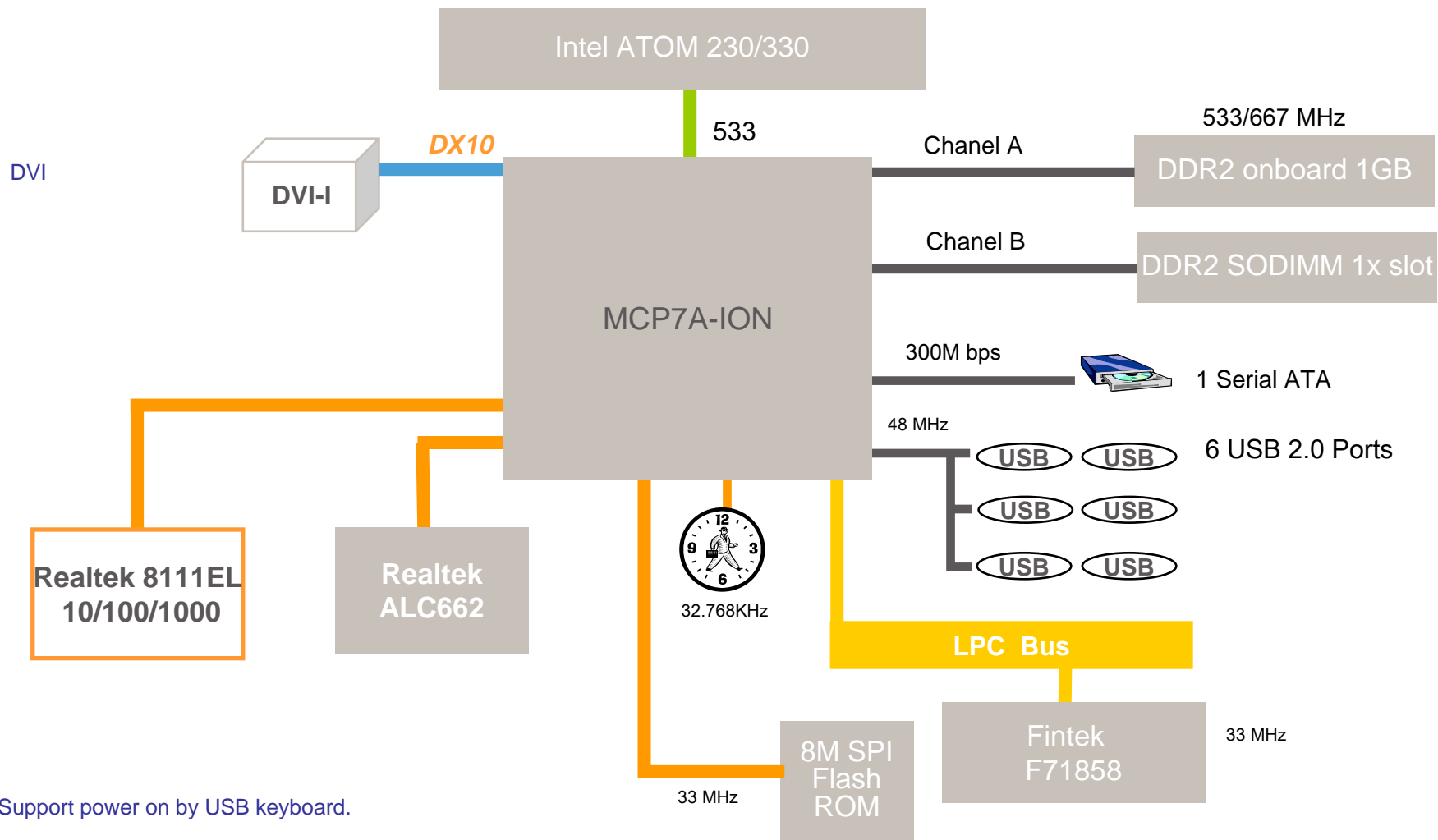
# Performance Segment (NV ION Platform)

## Home Entertainment solution

Enjoy HD video in your HDTV!



# M/B IPP7A(DVI/HDMI) Block Diagram

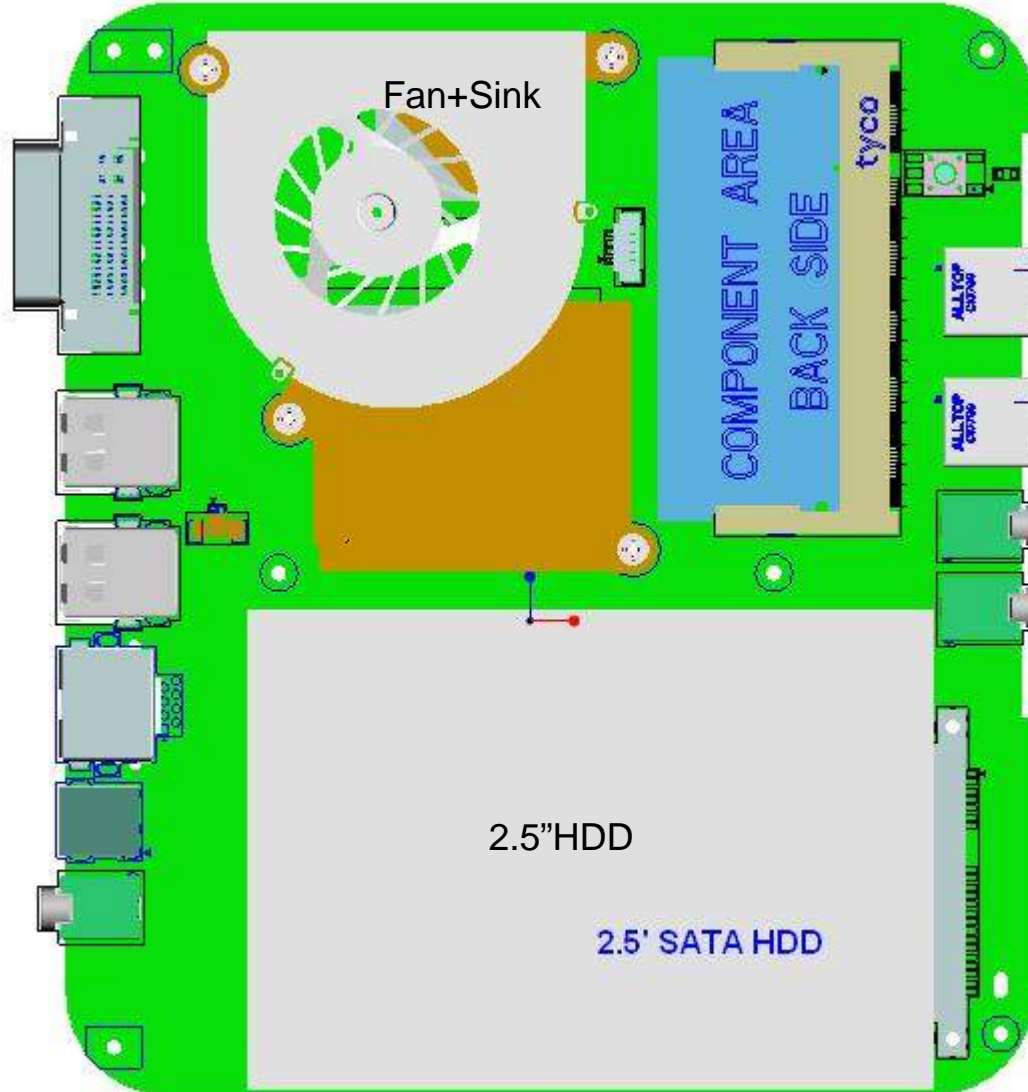


# Performance Segment (NV ION Platform)

## System with NV MCP7A-ION chipset configuration list

Model	Walle Model DVI	Walle Model HDMI
M/B	IPP7A w/ DVI port	IPP7A w/HDMI port
M/B	IPP7A w/ DVI port	
CPU	Intel Atom 230/330 1.6G, 4W	
Chipset	NV MCP7A-ION	
FSB	533	
Memory	SO-DIMM DDR2-667/800 1G (1G onboard & 1 x DIMM Slot)	
VGA	Integrated Graphic in NB	
LAN	Realtek 8111DL	
Audio	Realtek ALC662 => 2 Channel	
HDD/SSD	2.5" HDD 160GB	
Adapter	3-pin 40W 19V	

# System Placement: Top View





# Optional

## Wi-Fi dongle selection

Make your NetTop system connect to the world Wireless!

Interface	USB 2.0
Operating Frequency	2.4 - 2.5 GHZ
Data Rate	802.11n Draft: up to 270Mbps 802.11g: 6, 9, 12, 18, 24, 36, 48, 54Mbps 802.11b: 1, 2, 5.5, 11Mbps
RF Output Power	12~14dBm (g mode), 14~16dBm (b mode), 14~16dBm (n mode)
Antenna	Two on-board PCB antennas
Windows XP Compatibility	Native support for all built-in WLAN functions, like Zeroconfig, MediaSense and 802.1x
Support OS	Windows 2000, XP, 2003, Vista32/64 bit, Mac 10.3/10.4 OS
LED Indicator	Link, Activity
Dimensions	90 mm (L)* 27 mm (W)* 9 mm (H)



WL-166N11



# Optional

## Remote control

Enjoy HD video of Internet in your living room!



+



Thank you.